

Model BT810B

DRYER DISPLAY



FEATURES



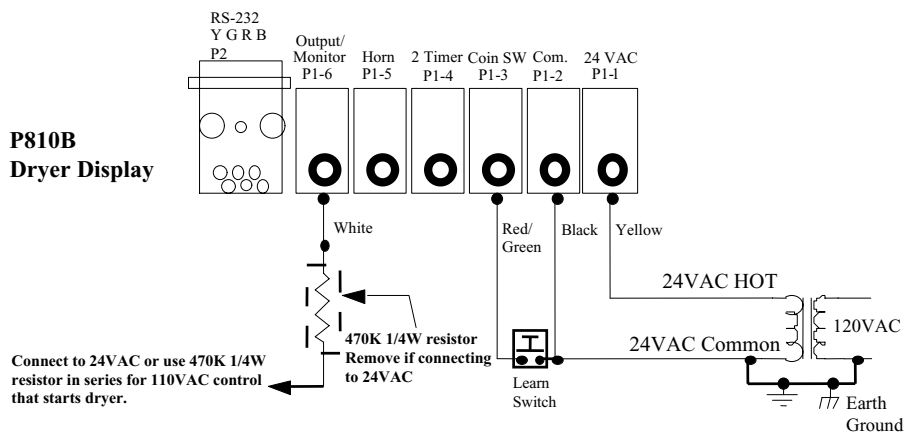
MODEL # BT810B-E LOW PROFILE STAINLESS STEEL ENCLOSURE

- 24 VAC POWER
- HIGH OUTPUT LED DISPLAY
- MONITOR 24VAC
- MONITOR 115VAC
- NEMA 4 WATERTIGHT ENCLOSURE
- SELF-LEARNING ON DRYER CYCLE TIMER
- PERSONALIZED MESSAGES UP TO 108 CHARACTERS
- RS232 PORT FOR USE WITH RC800 HAND HELD REMOTE PROGRAMMER- TO CHANGE INTRO MESSAGE

OPTIONS

- BT810B-U: ULTRA BRIGHT RED LED FOR EXTRA HIGH VISIBILITY
- ASSORTED STAINLESS STEEL ENCLOSURES
- BT810B-E: NEW LOW PROFILE HINGED STAINLESS STEEL ENCLOSURE WITH LOCK

WIRING INFORMATION



	OFF	ON		LEFT OFF	RIGHT ON
SW1	■		Service Monitor When Active Pulls Input to	N/A	N/A
SW2		■		N/A	N/A
SW3		■		COMMON	24VAC OR 110VAC
SW4		■		N/A	N/A

BT810B DRYER DISPLAY

This display was designed to help increase the performance and efficiency of automatic dryers. As a person drives through the automatic dryer the BT810B display counts down the time remaining on the dryer and at frequent intervals the display will prompt the driver with different messages.

When idle, the BT810B scrolls the first two messages in the messages memory continuously. When the Service Monitor terminal becomes active (dryer in operation), it begins a countdown of the service time stored. If the dryer shuts off early, the BT810B will start scrolling the stored messages. At frequent intervals the countdown is removed in order to display the Interrupt Message (such as “MOVE UP SLOWLY!!”). This is the message stored in the third message memory. At cycle end, a “THANK YOU, COME AGAIN” message will scroll twice then the display will return to the welcome message.

The cycle time can be learned in one of two ways. Just plug in the RC800, push edit, and follow the on-screen instructions or use the manual learn mode. To place the display in the manual learn mode connect Learn Terminal (TB3) to 24VAC power common (TB2) for 7 seconds. The display will show the word “LEARN”. In the LEARN mode, turn on the dryer and the display will count up as the service monitor terminal (TB6) becomes active. When the dryer shuts off, (TB6) inactive, the display will say “LEARNED” and will start scrolling the welcome message.

The service monitor input may be either 24 VAC or 110 VAC; HOWEVER, FOR 110 VAC an external 470K OHM ¼ watt resistor must be installed in series with TB6. Also, for a 110 VAC series monitor operation, it is imperative that TB2 (power common) be connected to 24 VAC Neutral or Earth Ground.